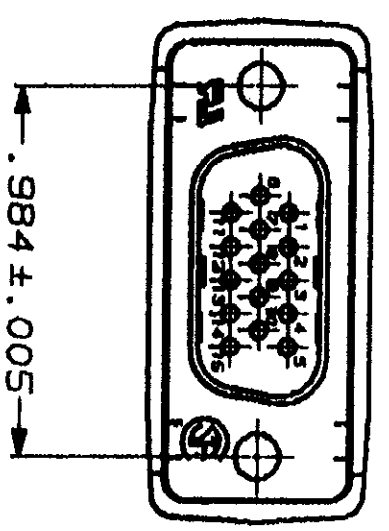
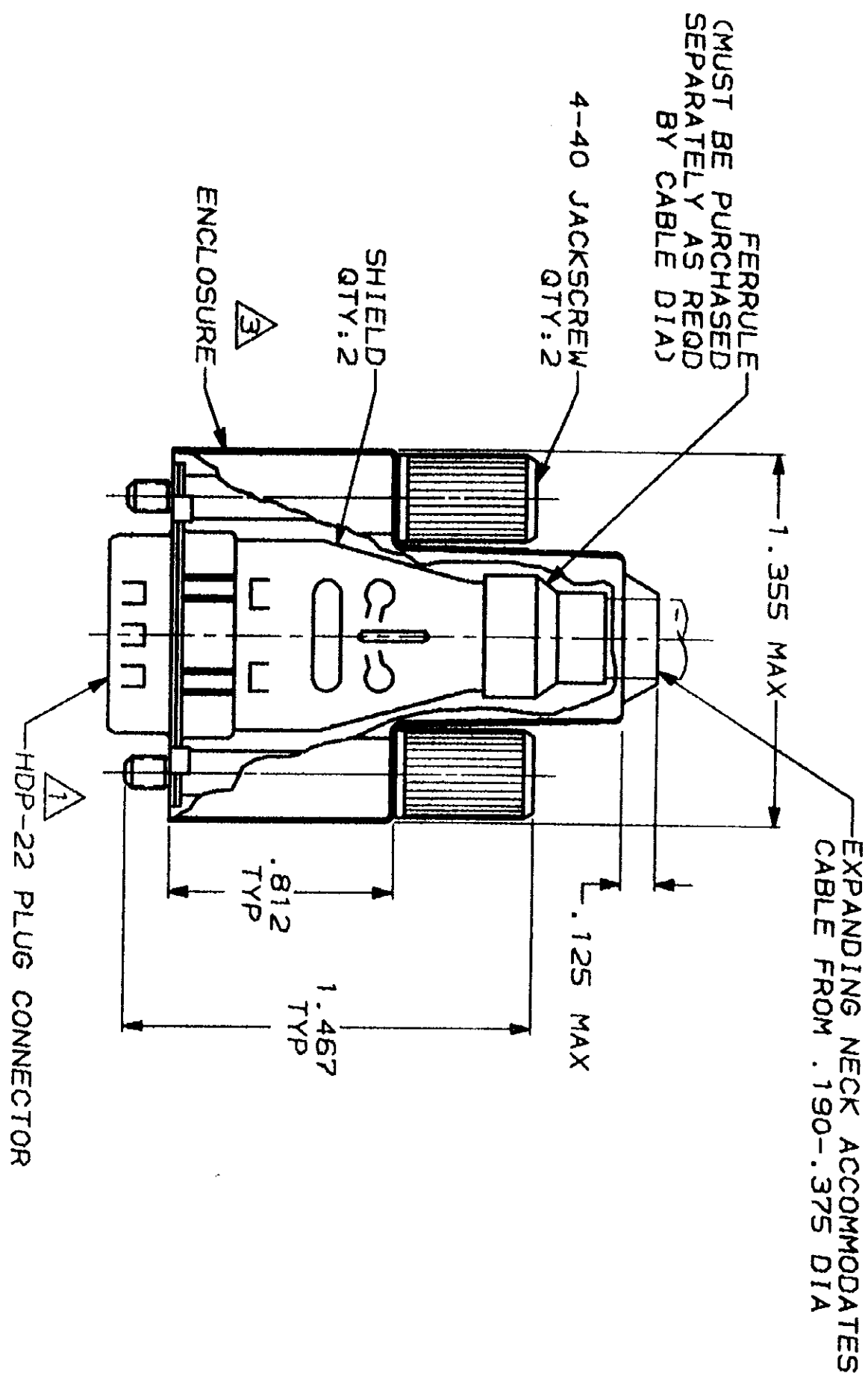
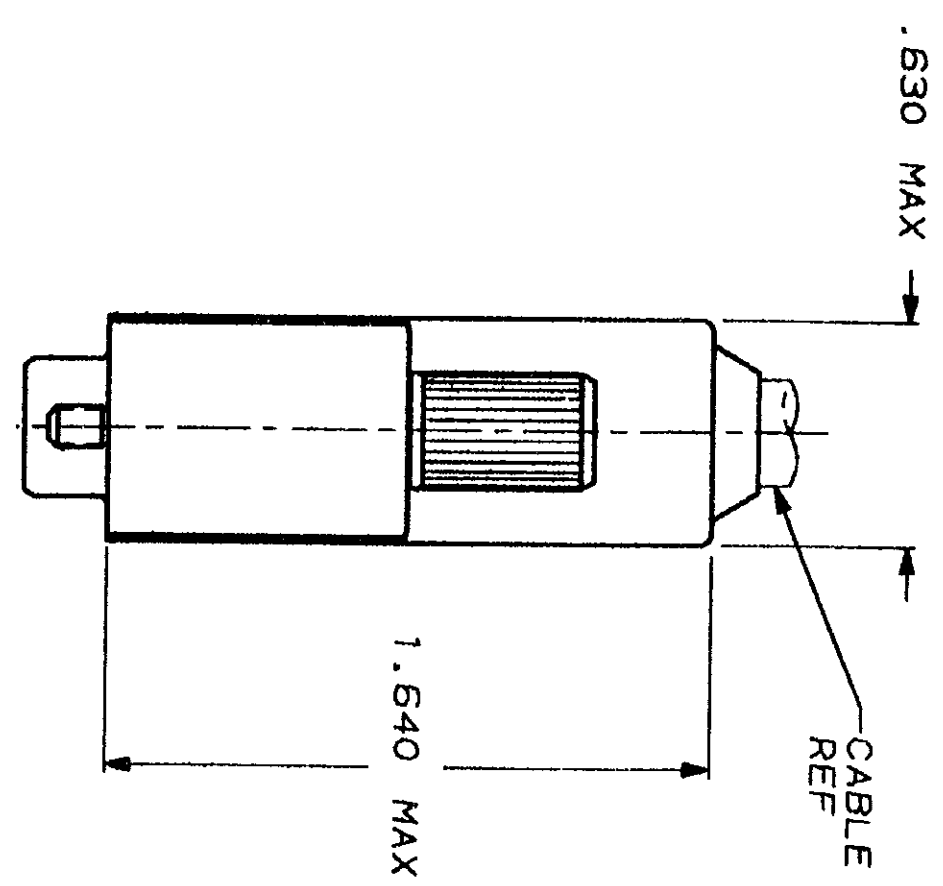


MOD	ECO	DIS	ZONE	LTR	DESCRIPTION	DATE	APPD
2	BD	39			REDRAWN AND REV ECN B05049	7-3-91	TMS
					REVISED PER ECN B06133	04/02/92	TMS



1. PLUG ACCEPTS SIZE 22 DF PIN CONTACTS. CONTACTS MUST BE PURCHASED SEPARATELY.
2. ALL PARTS SHIPPED UNASSEMBLED.
3. FLAME RETARDANT 94V-0 RATED, STYRENE POLYOLEFIN OR PVC, BLACK.
4. FLAME RETARDANT 94V-0 RATED GLASS FILLED, NYLON OR POLYESTER, BLACK.
5. STEEL PER ASTM A109.
6. TIN PLATING PER MIL-T-10727.
7. ZINC PLATING PER ASTM B633, TYPE II, CLASS SCI, BLACK CHROMATE.
8. COMPONENTS INDIVIDUALLY BULK PACKED.
9. INDIVIDUAL KIT PACKAGING OF COMPONENTS.



OBSELETE	748473-2
	748473-1
PACKAGING	PART NUMBER

DO NOT SCALE PRINT. UNLESS SPECIFIED DIMENSIONS IN INCHES TOLERANCES ON 1. PLC DEC # .020 2. PLC DEC # .020 3. PLC DEC # .020 ANGLES	DR 7-3-91 R. SHIREY CHK 8-2-91 R. STONE APPD 8-5-91 T. M. SPANGLER	NAME SHIELDING ENCLOSURE KIT, PLUG, SIZE 1, 15 POSN, HDP-22, AMPLIMIT TM
MATERIAL INSERT, ZINC ALLOY SHELLS & SHIELDS, JACKSCREWS, ZINC ALLOY	APPD 8-7-91 J. ASSINI PRODUCT SPEC	AMP INCORPORATED Morton, Pa. 17105
FINISH SHELLS & SHIELDS, JACKSCREWS,	APPLICATION SPEC	SIZE FSCM NO 00779 DRAWING NO 748473
WEIGHT	SCALE 2:1	SHEET 1 OF 1